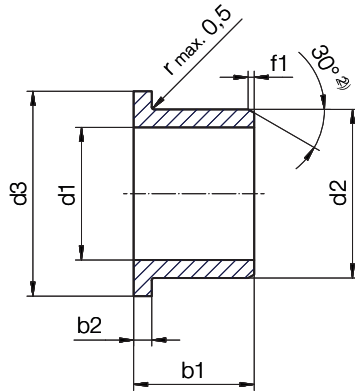


## iglidur® P | 產品範圍

## 法蘭軸承 (型號 F)



<sup>2)</sup> 厚度 < 1 mm : 導角 = 20°

倒角和 d1 的關係

|          |       |        |         |        |
|----------|-------|--------|---------|--------|
| d1 [mm]: | Ø 1-6 | Ø 6-12 | Ø 12-30 | Ø > 30 |
| f [mm]:  | 0.3   | 0.5    | 0.8     | 1.2    |

尺寸 [mm]

| d1   | d1-<br>公差 <sup>3)</sup> | d2   | d3<br>d13 | b1<br>h13 | b2   | 產品型號          |
|------|-------------------------|------|-----------|-----------|------|---------------|
| 4.0  |                         | 5.5  | 9.5       | 4.0       | 0.75 | PFM-0405-04   |
| 5.0  |                         | 6.0  | 10.0      | 3.0       | 0.5  | PFM-0506-03   |
| 5.0  | +0.020                  | 7.0  | 11.0      | 5.0       | 1.0  | PFM-0507-05   |
| 6.0  | +0.068                  | 8.0  | 12.0      | 4.0       | 1.0  | PFM-0608-04   |
| 6.0  |                         | 8.0  | 12.0      | 6.0       | 1.0  | PFM-0608-06   |
| 6.0  |                         | 8.0  | 12.0      | 8.0       | 1.0  | PFM-0608-08   |
| 7.0  |                         | 9.0  | 15.0      | 4.0       | 1.0  | PFM-0709-04   |
| 8.0  |                         | 10.0 | 15.0      | 5.5       | 1.0  | PFM-0810-05   |
| 8.0  |                         | 10.0 | 15.0      | 7.5       | 1.0  | PFM-0810-07   |
| 8.0  |                         | 10.0 | 15.0      | 9.5       | 1.0  | PFM-0810-09   |
| 8.0  |                         | 10.0 | 15.0      | 10.0      | 1.0  | PFM-0810-10   |
| 8.0  | +0.025                  | 10.0 | 15.0      | 15.0      | 1.0  | PFM-0810-15   |
| 8.0  | +0.083                  | 10.0 | 12.0      | 10.0      | 1.0  | PFM-081012-10 |
| 10.0 |                         | 12.0 | 18.0      | 7.0       | 1.0  | PFM-1012-07   |
| 10.0 |                         | 12.0 | 18.0      | 9.0       | 1.0  | PFM-1012-09   |
| 10.0 |                         | 12.0 | 18.0      | 10.0      | 1.0  | PFM-1012-10   |
| 10.0 |                         | 12.0 | 18.0      | 12.0      | 1.0  | PFM-1012-12   |
| 10.0 |                         | 12.0 | 18.0      | 17.0      | 1.0  | PFM-1012-17   |
| 12.0 |                         | 14.0 | 20.0      | 7.0       | 1.0  | PFM-1214-07   |
| 12.0 |                         | 14.0 | 20.0      | 9.0       | 1.0  | PFM-1214-09   |
| 12.0 |                         | 14.0 | 20.0      | 10.0      | 1.0  | PFM-1214-10   |
| 12.0 |                         | 14.0 | 20.0      | 12.0      | 1.0  | PFM-1214-12   |
| 12.0 | +0.032                  | 14.0 | 20.0      | 15.0      | 1.0  | PFM-1214-15   |
| 12.0 | +0.102                  | 14.0 | 20.0      | 17.0      | 1.0  | PFM-1214-17   |
| 12.0 |                         | 14.0 | 18.0      | 8.0       | 1.0  | PFM-121418-08 |
| 12.0 |                         | 14.0 | 20.0      | 10.0      | 1.0  | PFM-121420-10 |
| 14.0 |                         | 16.0 | 22.0      | 4.0       | 1.0  | PFM-1416-04   |
| 14.0 |                         | 16.0 | 22.0      | 8.0       | 1.0  | PFM-1416-08   |

## 產品代碼

類型 尺寸 [mm]

P F M-0405-04

|             |      |    |           |           |       |
|-------------|------|----|-----------|-----------|-------|
| iglidur® 材質 | 型號 F | 公制 | 內徑 - Ø d1 | 外徑 - Ø d2 | 長度 b1 |
|-------------|------|----|-----------|-----------|-------|

尺寸符合 ISO 3547-1 標準  
且提供特殊尺寸

也可選用英制尺寸  
▶ 見頁碼 1438

| d1   | d1-<br>公差 <sup>3)</sup> | d2   | d3<br>d13 | b1<br>h13 | b2  | 產品型號          |
|------|-------------------------|------|-----------|-----------|-----|---------------|
| 14.0 |                         | 16.0 | 22.0      | 12.0      | 1.0 | PFM-1416-12   |
| 14.0 | +0.032                  | 16.0 | 22.0      | 17.0      | 1.0 | PFM-1416-17   |
| 14.0 | +0.102                  | 16.0 | 24.0      | 25.0      | 1.0 | PFM-141624-25 |
| 14.0 | +0.050                  | 20.0 | 25.0      | 10.0      | 3.0 | PFM-1420-10   |
| 14.0 | +0.160                  | 20.0 | 25.0      | 10.0      | 3.0 | PFM-1420-10   |
| 15.0 |                         | 17.0 | 23.0      | 9.0       | 1.0 | PFM-1517-09   |
| 15.0 |                         | 17.0 | 23.0      | 12.0      | 1.0 | PFM-1517-12   |
| 15.0 |                         | 17.0 | 23.0      | 17.0      | 1.0 | PFM-1517-17   |
| 15.0 |                         | 17.0 | 23.0      | 22.0      | 1.0 | PFM-1517-22   |
| 15.0 | +0.032                  | 18.0 | 24.0      | 32.0      | 1.5 | PFM-151824-32 |
| 16.0 | +0.102                  | 18.0 | 24.0      | 12.0      | 1.0 | PFM-1618-12   |
| 16.0 |                         | 18.0 | 24.0      | 17.0      | 1.0 | PFM-1618-17   |
| 16.0 |                         | 18.0 | 24.0      | 40.0      | 1.0 | PFM-161824-40 |
| 17.0 |                         | 19.0 | 25.0      | 25.0      | 1.0 | PFM-1719-25   |
| 18.0 |                         | 20.0 | 26.0      | 12.0      | 1.0 | PFM-1820-12   |
| 18.0 |                         | 20.0 | 26.0      | 17.0      | 1.0 | PFM-1820-17   |
| 18.0 |                         | 20.0 | 26.0      | 22.0      | 1.0 | PFM-1820-22   |
| 20.0 |                         | 23.0 | 28.0      | 11.5      | 1.5 | PFM-2023-11   |
| 20.0 |                         | 23.0 | 28.0      | 15.0      | 1.5 | PFM-202328-15 |
| 20.0 |                         | 23.0 | 30.0      | 16.5      | 1.5 | PFM-2023-16   |
| 20.0 |                         | 23.0 | 30.0      | 21.0      | 1.5 | PFM-2023-21   |
| 20.0 |                         | 23.0 | 30.0      | 30.0      | 1.5 | PFM-2023-30   |
| 24.0 | +0.040                  | 27.0 | 32.0      | 22.0      | 1.5 | PFM-2427-22   |
| 25.0 | +0.124                  | 28.0 | 35.0      | 11.5      | 1.5 | PFM-2528-11   |
| 25.0 |                         | 28.0 | 35.0      | 16.5      | 1.5 | PFM-2528-16   |
| 25.0 |                         | 28.0 | 35.0      | 21.5      | 1.5 | PFM-2528-21   |
| 30.0 |                         | 34.0 | 42.0      | 16.0      | 2.0 | PFM-3034-16   |
| 30.0 |                         | 34.0 | 42.0      | 26.0      | 2.0 | PFM-3034-26   |

<sup>3)</sup> 按壓組裝後 測試方法 ▶ 頁碼 57

# iglidur® P | 產品範圍

## 法蘭軸承 (型號 F)

### 尺寸 [mm]

| d1   | d1-<br>公差 <sup>3)</sup> | d2   | d3<br>d13 | b1<br>h13 | b2  | 產品型號        |
|------|-------------------------|------|-----------|-----------|-----|-------------|
| 30.0 | +0.040                  | 34.0 | 42.0      | 30.0      | 2.0 | PFM-3034-30 |
| 30.0 | +0.124                  | 34.0 | 42.0      | 37.0      | 2.0 | PFM-3034-37 |
| 35.0 |                         | 39.0 | 47.0      | 16.0      | 2.0 | PFM-3539-16 |
| 35.0 | +0.050                  | 39.0 | 47.0      | 26.0      | 2.0 | PFM-3539-26 |
| 40.0 | +0.150                  | 44.0 | 52.0      | 30.0      | 2.0 | PFM-4044-30 |
| 40.0 |                         | 44.0 | 52.0      | 40.0      | 2.0 | PFM-4044-40 |

| d1   | d1-<br>公差 <sup>3)</sup> | d2   | d3<br>d13 | b1<br>h13 | b2  | 產品型號         |
|------|-------------------------|------|-----------|-----------|-----|--------------|
| 45.0 | +0.050                  | 50.0 | 58.0      | 50.0      | 2.0 | PFM-4550-50  |
| 50.0 | +0.150                  | 55.0 | 63.0      | 50.0      | 2.0 | PFM-5055-50  |
| 60.0 |                         | 65.0 | 73.0      | 40.0      | 2.0 | PFM-6065-40  |
| 60.0 | +0.060                  | 65.0 | 73.0      | 50.0      | 2.0 | PFM-6065-50  |
| 70.0 | +0.180                  | 75.0 | 83.0      | 50.0      | 2.0 | PFM-7075-50  |
| 80.0 |                         | 85.0 | 93.0      | 100.0     | 2.5 | PFM-8085-100 |

<sup>3)</sup> 按壓組裝後 測試方法 ► 頁碼 57



#### 沒有找到您要的尺寸？

您是否需要其他長度、尺寸或公差？您在尋找一個特殊的設計或者取代您應用的其他解決方案？請與我們聯絡。易格斯傾聽您的需求，並在短時間內迅速為您提供解決方案。



#### 更多尺寸可現貨供應

超過 300 個尺寸可供選擇。線上搜尋您所需的軸承。

► [www.igus.com.tw/iglidur-specialbearings](http://www.igus.com.tw/iglidur-specialbearings)